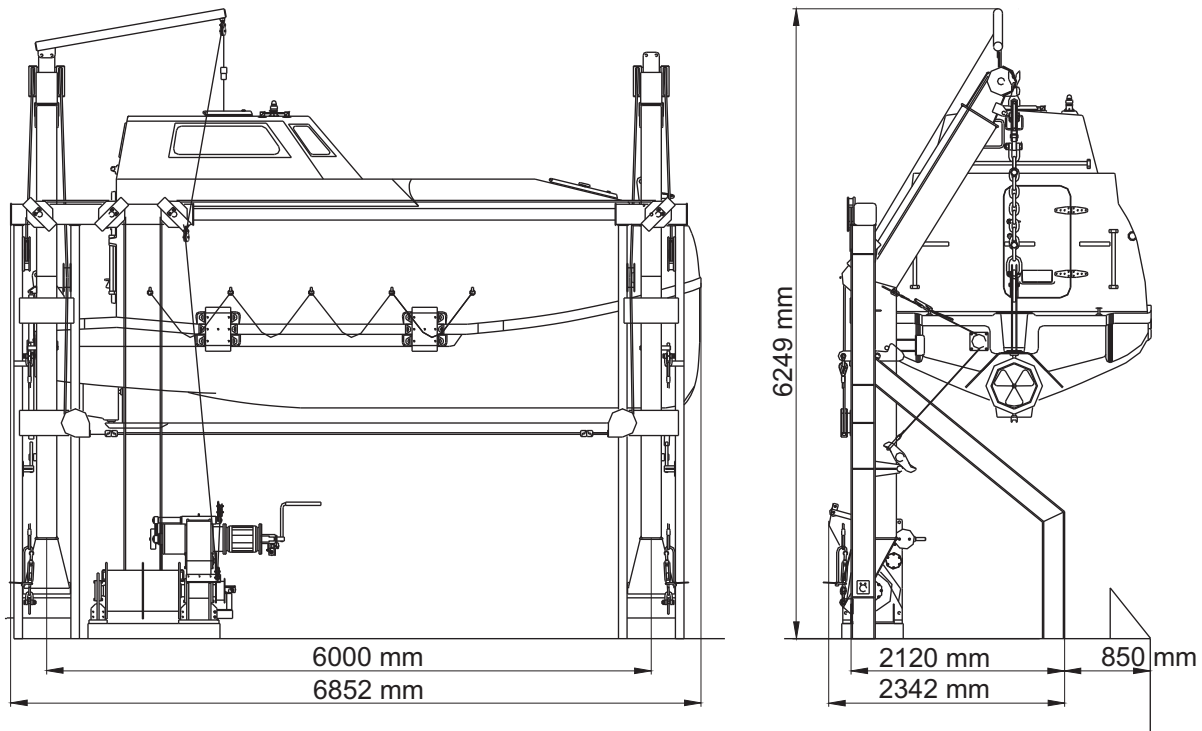


**Totally Enclosed Life-and Rescueboat  
type: GSL(T)-6.6 M  
with  
davit, type GspFP 75**



scale 1 : 75

**Dimensions boat:** (over all) 6,74 x 2,83 x 3,24 m

**Weight data:**

Boat empty incl. equipment and fuel .....	dry cargo version 2470 kgs	tanker version 2700 kgs
Davit system .....	lifeboat exec. abt. 3800 kgs	rescueboat exec. abt. 3950 kgs
<b>Total weight of empty boat and davit (dry cargo version) ..</b>	<b>abt. 6270 kgs</b>	<b>abt. 6420 kgs</b>
<b>Total weight of empty boat and davit (tanker version) .....</b>	<b>abt. 6500 kgs</b>	<b>abt. 6650 kgs</b>